

VARISPEED-616G5/P5
DIGITAL OPERATOR EXTENSION CABLE
INSTRUCTIONS

Upon receipt of the product and prior to initial operation, read these instructions thoroughly, and retain for future reference.



YASKAWA

MANUAL NO. TOE-C736-40.16B

The extension cable connects the inverter with the digital operator (JVOP-130, -131, -132) separated from the inverter. It is used to operate the inverter and monitor operational conditions from a short distance (1m or 3m). This extension cable is applicable to the following inverter series:

VS-616G5 series

VS-616PC5/P5 series



WARNING

- Turn OFF the power supply before starting installation.
Otherwise, electric shock and personal injury may result.
- Before operation, read the instruction manual and follow the instructions completely.
Otherwise, electric shock and personal injury may result.



CAUTION

- Follow this instruction manual when installing the cable to prevent malfunctions.
- Use the screw provided for installing nylon clamp and cable holder.
Otherwise, insufficiently installation may result.
- With the cable holder installed, DO NOT remove the front cover of the inverter.
Otherwise, poor contact may result.
- Complete wiring and adjusting for operation test when installing the cable holder on the inverter side.
Otherwise, insufficiently installation may result. (Removing the cable holder may cause wear the screw threads because tapping screws are used.)

1 Extension Cable Parts List

Product name Code No.	Parts	
	Name	Q'ty
Extension cable (1m) 72616-W5001	Cable	×1
	Cable holder	×2
	Self-tapping screw 3×10	×4
	Nylon clamp	×1
	Sems screw with flat and lock washers M3×10	×1
	Nut for M3	×1
Extension cable (3m) 72616-W5003	Cable	×1
	Cable holder	×2
	Self-tapping screw 3×10	×4
	Nylon clamp	×1
	Sems screw with flat and lock washers M3×10	×1
	Nut for M3	×1

2 Extension Cable Installation

- ① Turn OFF the inverter power supply and remove the operator.
- ② Connect the extension cable on both inverter and digital operator sides.
- ③ Install the cable holder on the digital operator side with the provided tapping screw to prevent the cable from dropping. Place the nylon clamp on the inverter side with the provided sems screw with flat and lock washers to secure the extension cable as shown below. (Cable holder can be used on the inverter side. Usually it is not required under normal conditions with only slight vibration.)

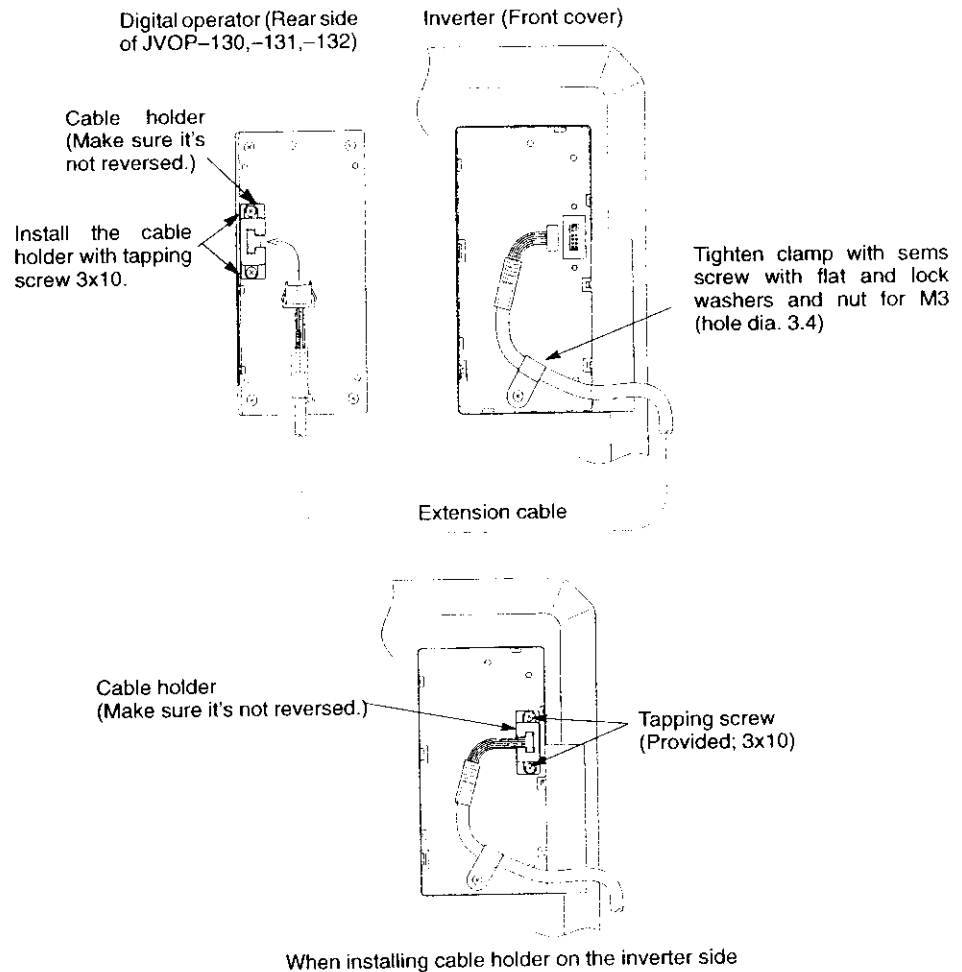


Fig. 1 Extension Cable installation

3 Attaching Digital Operator to Panel

There are the following three methods of attaching the digital operator to a control panel, etc. Attach the digital operator by a method appropriate to your requirements.

Table 1 Features

Item	Method 1	Method 2 *2	Method 3 *2	Remarks
Ease of attaching (panel machining level)	Excellent	Good	Fair	
	Drilling holes at three locations	Drilling holes at three location	Drilling holes at five	
Ease of detaching (detaching from panel)	Fair	Fair	Excellent	Method 3 allows easy attachment/detachment of the digital operator.
	For permanent fixing	For permanent fixing	Easy to attach/detach	
Installation location (dusty, etc.)	Fair	Good	Fair	
		*1		

*1. Insert packing between the panel and the digital operator before the digital operator is attached in a dusty location.

*2. Methods 2 and 3 entail additional procurement by the user of sheet metal or plastic brackets.

[Method 1]

- The digital operator is easily fixed with screws from the back of the panel after drilling holes and a panel cutout on the mounting side, as shown in Fig. 2.
(Those screws must be procured by each user. For a panel 1.6 mm thick, it is recommended to use M3 × 8 SW SEMS screws with flat and lock washers.)

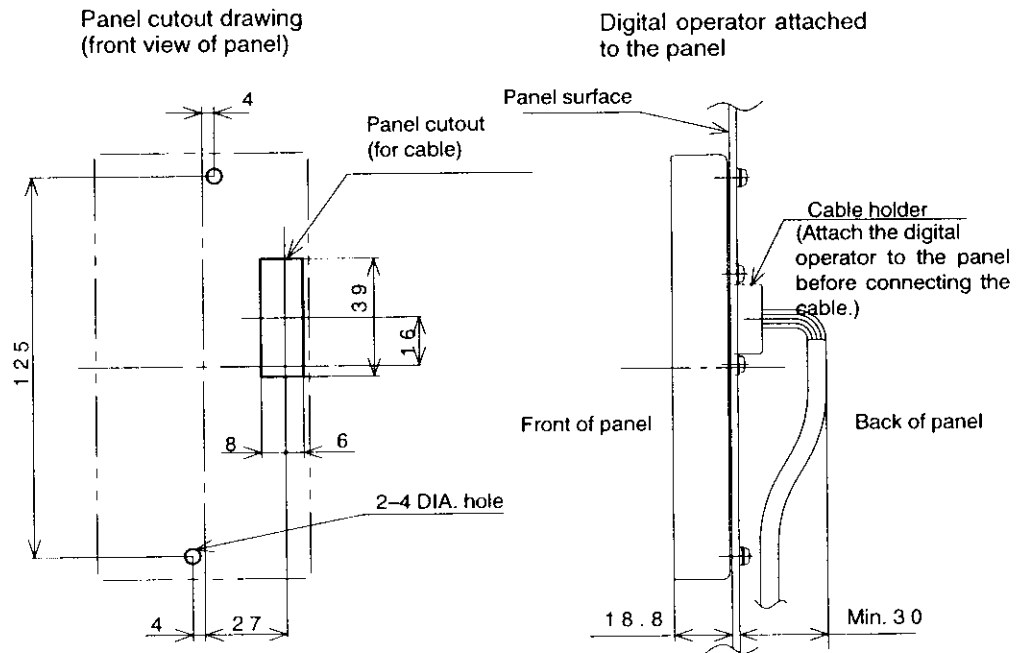


Fig. 2 Method 1

[Method 2]

- The digital operator is attached with a sheet metal bracket from the back of the panel.
- Provide holes and a panel cutout on the mounting side and support the digital operator with a sheet metal bracket from the back of the panel, as shown in Fig 3.

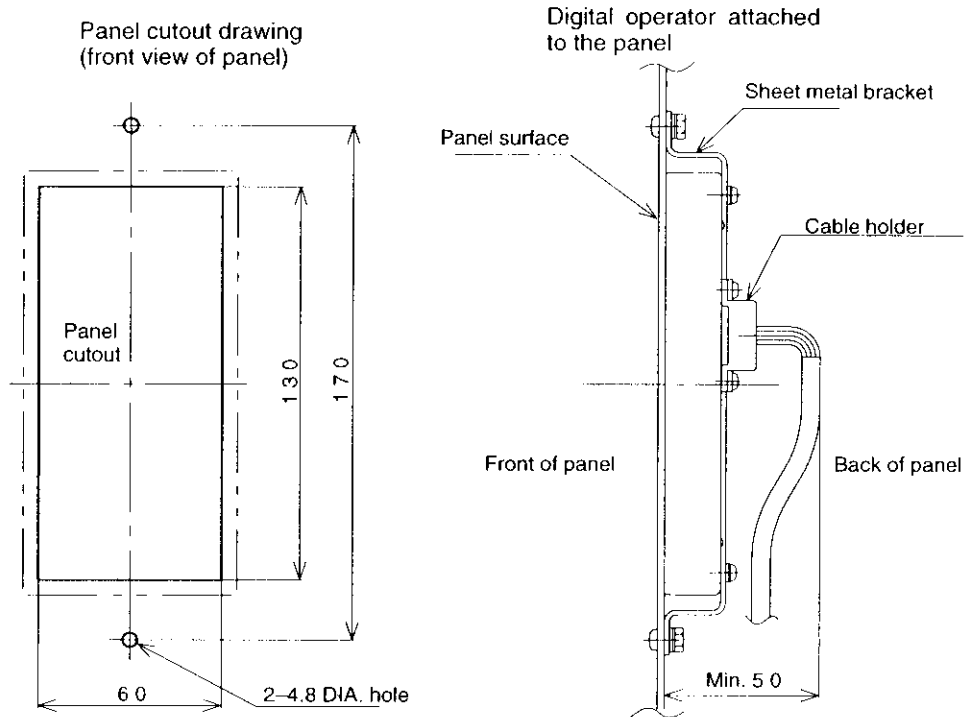


Fig. 3 Method 2

The sheet metal bracket procurement code number is DACT32183-AD.

[Method 3]

- The digital operator is attached with a plastic bracket from the front side of the panel.
- The digital operator is easily attached to or removed from the panel. (To fix the digital operator permanently, use M3 × 8 SW SEMS screws with flat and lock washers from the back of the operator panel.)
- Provide holes and a panel cutout on the mounting side, attach a plastic bracket to the back of the panel, and attach the digital operator from the front side of the panel, as shown in Fig. 4.
- To connect the cable to the plastic bracket, push in the cable connector from the back of the plastic bracket until the connector hook clicks to lock. The digital operator may not function properly if the cable is not connected securely.

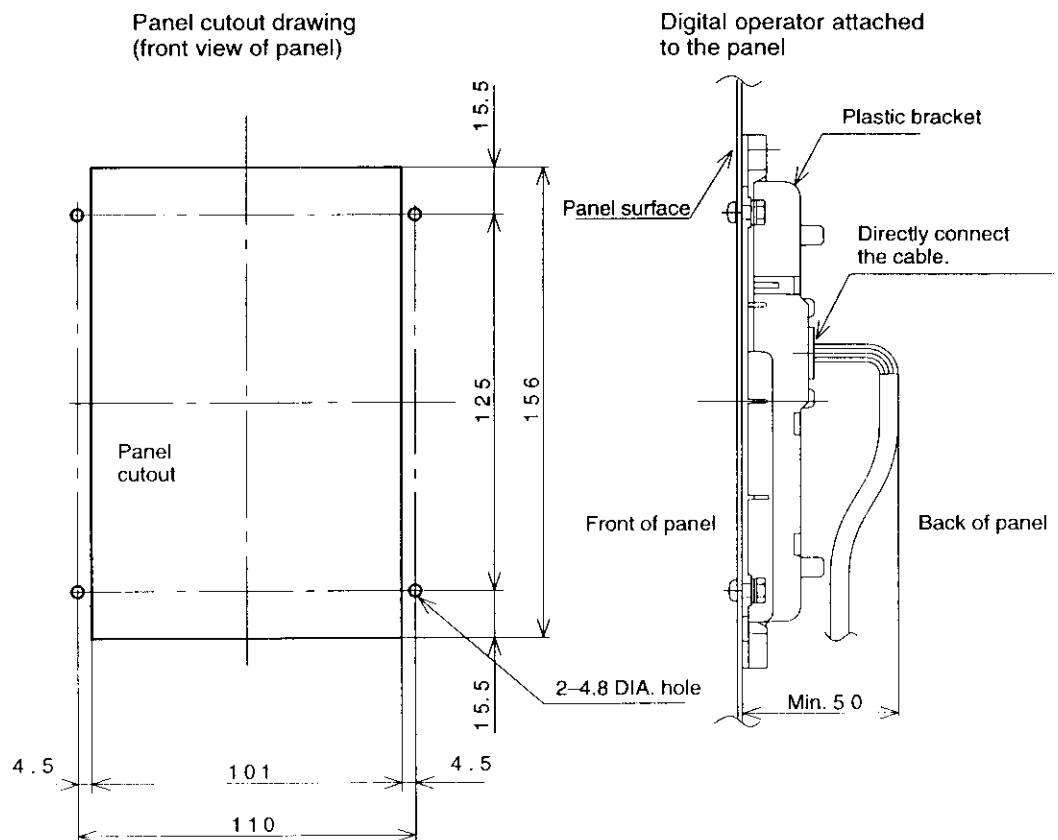


Fig. 4 Method 3

The plastic bracket procurement code number is DACT32183-BD.

DIGITAL OPERATOR EXTENSION CABLE INSTRUCTIONS

TOKYO OFFICE New Pier Takeshiba South Tower, 1-16-1, Kaigan, Minatoku, Tokyo 105 Japan
Phone (03)5402-4511 Fax (03)5402-4580

YASKAWA ELECTRIC AMERICA, INC.

Chicago-Corporate Headquarters 2942 MacArthur Blvd. Northbrook, IL 60062-2028, U.S.A

Phone (847)291-2340 Fax (847)498-2430

Chicago-Technical Center 3160 MacArthur Blvd. Northbrook, IL 60062-1917, U.S.A.

Phone (847)291-0411 Fax (847)291-1018

MOTOMAN INC.

805 Liberty Lane West Carrollton, OH 45449, U.S.A.

Phone (513)847-6200 Fax (513)847-6277

YASKAWA ELÉTRICO DO BRASIL COMÉRCIO LTDA.

Avenida Bngadeiro Fana Lima 1664-5 CJ 504/511, São Paulo, Brazil

Phone (011)815-7723 Fax (011)870-3849

YASKAWA ELECTRIC EUROPE GmbH

Am Kronberger Hang 2, 65824 Schwalbach, Germany

Phone (49)6196-569-300 Fax (49)6196-888-301

Motoman Robotics AB

Box 504 S38525 Torsås, Sweden

Phone 0486-10575 Fax 0486-41410

Motoman Robotec GmbH

Kammerfeldstraße 1, 85391 Allershausen, Germany

Phone 08166-900 Fax 08166-9039

YASKAWA ELECTRIC UK LTD.

3 Drum Mains Park Orchardton Woods Cumbernauld, Scotland, G68 9LD U.K.

Phone (1236)735000 Fax (1236)458182

YASKAWA ELECTRIC KOREA CORPORATION

Paik Nam Bldg. 901 188-3, 1-Ga Euljiro, Joong-Gu Seoul, Korea

Phone (02)776-7844 Fax (02)753-2639

YASKAWA ELECTRIC (SINGAPORE) PTE. LTD.

151 Lorong Chuan, #04-01, New Tech Park Singapore 556741, SINGAPORE

Phone (65)282-3003 Fax (65)289-3003

YATEC ENGINEERING CORPORATION

Shen Hsiang Tang Sung Chiang Building 10F 146 Sung Chiang Road, Taipei, Taiwan

Phone (02)563-0010 Fax (02)567-4677

BEIJING OFFICE Room No. 301 Office Building of Beijing International Club, 21

Jianguomenwai Avenue, Beijing 100020, CHINA

Phone (86)10-532-1850 Fax (86)10-532-1851

SHANGHAI OFFICE Room No.8B Wan Zhong Building 1303 Yan An Road (West), Shanghai 200050, CHINA

Phone (86)6212-1015 Fax (86)6212-1326

YASKAWA JASON (HK) COMPANY LIMITED

Rm. 2916, Hong Kong Plaza, 186-191 Connaught Road West, Hong Kong

Phone (852)2858-3220 Fax (852)2547-5773

TAIPEI OFFICE Shen Hsiang Tang Sung Chiang Building 10F 146 Sung Chiang Road, Taipei, Taiwan

Phone (02)563-0010 Fax (02)567-4677



YASKAWA

YASKAWA ELECTRIC CORPORATION

MANUAL NO. TOE-C736-40.16B

© Printed in Japan November 1996 96-7 2